

Кубота Seat-type Rotary Power Tiller

Кубота

PEM
1408 PLUS

The Trusted Power for Optimal Quality



MADE IN THAILAND

Optimal Quality



Powerful & fuel saving

Use 14 HP KUBOTA Diesel Engine (ZT140 Plus) with direct injection system as the source of power.

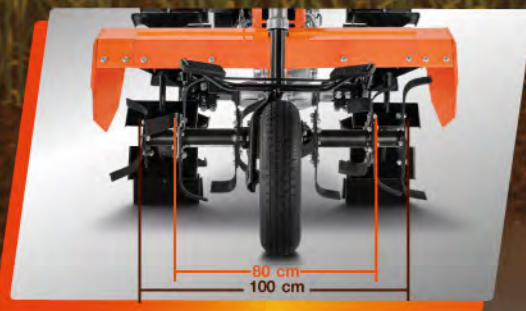
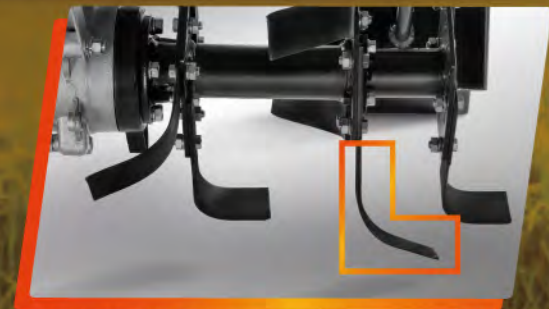
KUBOTA Rotary for quick & fine soil tilling

L-shape curved blades with optimal angles to allow for fine soil tilling with maximum depth at 12 cm in dry field and 15 cm in paddy field.

80 cm width rotary can be extended up to 100 cm with the extension shaft* to deliver working capacity of 0.45-0.50 Acre/hr (1.14-1.26 rai/hr)** and can work close to the field border, allowing for more planting space.

*This is optional accessory separately sold.

**From operation testing of the rotary in wet field.



The Trusted Power

High air cleaner adapter

Reduces dust and dirt from entering the air cleaner, extending the engine service life.

Durable gear case

Special Cast Iron (SCI) offers durability with impact resistance and reliable quality, including KUBOTA Lifetime Warranty*

*Lifetime warranty applies to the SCI Gear case parts only.

Robust cage wheel

Standard cage wheel with diameter at 800 mm and 16 wheel blades for ease of operation.



Quality assurance with KUBOTA Warranty



3-years limited warranty for KUBOTA Diesel Engine



2-years limited warranty for KUBOTA Seat-type Rotary Power Tiller

Remark: For more details on warranty terms and conditions, please refer to the product warranty book.

More comfortable for the driver



Rear wheel

Rear wheel are responsive to the touch for better steering control.



Even comfortable seating

Comfortable seating with seat height that can be adjusted to be fit for each driver. Better rear wheel control and nimble turning radius.



Rubber foot pedal

The rubber pad at foot pedal can prevent slipping and the angle of foot pedal can be adjusted to be fit for each driver.



Scan the QR Code to view operating illustrations

Recommended operations for the best use

KUBOTA Seat-type Rotary Power Tiller PEM1408 PLUS

Suitable for private operation in 1.9-7.9 acre (5-20 rai). Compatibility covers operation in both paddy field or dry field, including tilling to eliminate weeds in sugarcane and cassava furrow.



Soil preparation procedures

Dry field

Method 1: KUBOTA Seat-type Rotary Power Tiller PEM1408 PLUS

- 1) For first tilling, use 1-2 Low main speed, and Low rotary speed so that the hard soil is more loaming.
- 2) For second tilling, use 2-3 Low main speed, and High rotary speed to finely tilt the soil.

Method 2: For better result, use with TRA CHANG Power Tiller NC PLUS X.

- 1) Plow up the soil 1 time with the disc plow for tilling.
- 2) Use PEM1408 PLUS, "2-3 Low" main speed and adjust the rotary speed according to the soil conditions.
 - Large clumps of soil: adjust the rotary speed to "Low" to break up the soil into smaller clumps.
 - Small clumps of soil: adjust the rotary speed to "High" to finely till the soil.

Paddy field

Method 1: KUBOTA Seat-type Rotary Power Tiller PEM1408 PLUS

- 1) For first tilling, use 2-3 Low main speed and rotary speed suitable to the soil conditions.
 - Clay with fresh straw: Low
 - Sandy soil or loamy soil: High
- 2) If the soil need to be finer, use High rotary speed to till the soil for the second time.

Method 2: For better result, use with TRA CHANG Power Tiller NC PLUS X.

- 1) Plow up the soil 1 time with the disc plow for tilling.
- 2) Use PEM1408 PLUS 2-3 Low main speed and High rotary speed to finely tilt the soil.



Maintenance procedures in the sugarcane field

With 1.09 m width, the machine can till to eliminate weeds in sugarcane furrow with pitch of 1 meter or more (distance between furrows). Eliminating weeds before fertilizing helps the sugarcane root to optimally expand and absorb nutrients, increasing the overall revenue.

Excessively compact soil - rough surface

2-Low main speed and High rotary speed are recommended.

Sandy soil or loamy soil - smooth surface

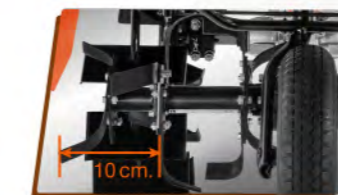
3-Low main speed with no maximum acceleration, and High rotary speed are recommended.

Improve your operation with special implements

Extension shaft*

Extends 10 cm for each side up to the width total of 1 meter for even better close to the field border.

**This is optional accessory separately sold.*



Optional accessory "Sugarcane guard"*

Even more ease of operation in sugarcane field with more than 1 meter height by providing a clear view of the furrow and preventing the sugarcane leaf from grating.

**Sugarcane guard is an optional accessory not included with the machine. To make a purchase, please contact your authorized local dealers or made-to-order manufacturers.*

Specification เกษตรกร Seat-type Rotary Power Tiller



Specification Table

KUBOTA Seat-type Rotary Power Tiller PEM1408 PLUS

14 HP KUBOTA Diesel Engine			
Model name			ZT140DI
Type			4-Stroke horizontal diesel engine with water-cooling system
Number of piston			1
Bore x Stroke	mm x mm		97 x 96
Displacement volume	cc		709
Maximum power	PS/rpm		14/2,400 (10.3 kW/2,400)
Continuous rated power	PS/rpm		12.5/2,400 (9.19 kW/2,400)
Rated rotational speed	rpm		2,400
Specific fuel consumption at continuous rated power	g/kW-h		240
Compression ratio			18 : 1
Max. torque	kgf-m/rpm		5.1/1,600
Cooling water capacity	cm ³ (Liter)		2.1
Fuel tank capacity	cm ³ (Liter)		10.5
Lubricating oil pan capacity	cm ³ (Liter)		2.8
Fuel type			High-speed diesel (SAE No. 2-D)
Lubricating oil grade			SAE 40 API CF
Combustion system			Direct Injection (DI)
Cooling system			Pressurized radiator
Lubrication system			Force feeding with Trochoid pump
Air cleaner system			Wet type air cleaner
Engine starting system			Manual cranking with 2x speed handle / Electric motor starter for ES model
Recommended battery capacity (Electric starter -ES model only)			Battery 12V, 30A or more
Engine crankshaft rotation direct			Clockwise direction (when viewing from starting handle side)
Transmission & Structure			
Transmission system	From engine to main clutch		3 V-belts (B section)
	Main clutch		Dry Multi-plate (4 plates)
	Main speed steps		3 Forward - 1 Reverse speeds
	Sub-speed steps		High-Low speeds
Steering clutch	Total speed steps		6 Forward - 2 Reverse speeds
			14 teeth Internal gear insert (nut on type)
Brake system			Internal expansion shoe-drum brake
Lubricating oil grade / capacity			SAE 90, API GL-4 / 7.5-8 Liter
Cage wheel diameter	cm		80
Standard implements			
Rotary Tiller	Model name		RPT0816-TH
	Tilling width	cm	80
	Number of tilling blade		16
	Number of rotary speed	rpm	
Standard implements			Cage wheel, seat attachment, trailer hitch
Special implements			
Rotary Extension Shaft (SE20)			Increase 10 cm width for each side
Dimension & Weight			
Dimension	Width	cm	109 - 114
	Length	cm	242
	Height	cm	107
Weight	Diesel engine net weight	kg	112
	Gross weight	kg	360

Note: 1. The values shown are estimated by the manufacturer.

2. Values of horsepower, torque, and specific fuel consumption are values from engine operated for at least 50 hours and in compliance to JIS B 8018 at standard condition (atmospheric pressure: 750 mmHg, temperature: 25 degrees Celsius, and RH: 30%).

Better with after-sales service under the standard of SIAM KUBOTA



SIAM KUBOTA Service-Hotline 1747

Providing advice and tips about the application, maintenance and technical support. Daily service from 7.00-19.00
Remark : only in Thailand



Nationwide Service Center

In addition to quality products, SIAM KUBOTA Corporation Co., Ltd. offers high-standard after-sales through its service centers and authorized dealers.



KUBOTA Genuine Spare Parts

We emphasize on the availability of spare parts. Which are available at SIAM KUBOTA authorized dealers nationwide.



KUBOTA Genuine Verification

The genuine KUBOTA Diesel Engine, TRA CHANG Power Tiller and KUBOTA Seat-type Rotary Power Tiller must have a QR Code to scan for verification.



Financing Service

Our financing service allows you to own a KUBOTA Seat-type Rotary Power Tiller. We offer reasonable and fair interest rates and flexible options to accommodate your demands. Contact SIAM KUBOTA Leasing at 1317 for information.

Remark : only in Thailand

SIAM KUBOTA Corporation Co., Ltd.

101/19-24 Moo 20 Navanakorn Industrial Estate, Tambon Khlong Nueng

Khlong Luang District, Pathum Thani 12120

Tel 0 2909 0300 Fax 0 2909 1698

Produced in December 2021

www.siamkubota.co.th | Siam Kubota